

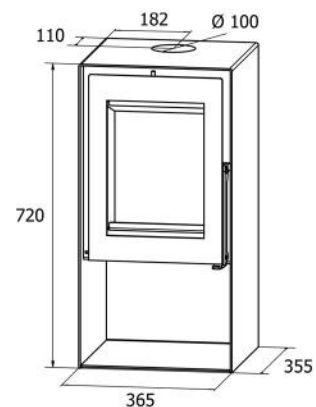


**Millenium Series**

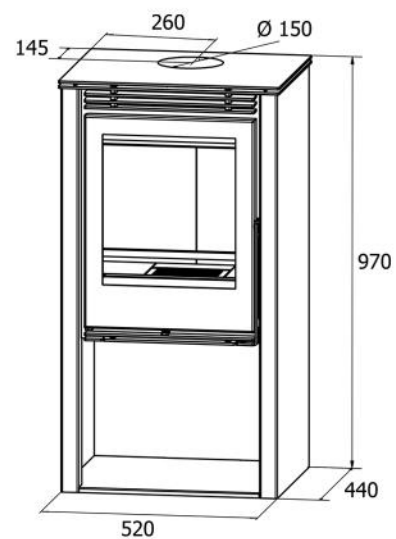


**adf**  
fabricante equipamentos térmicos

Millenium R



Millenium II



Model	Energy Class	Efficiency (%)	Emission Class	Max m <sup>3</sup>	Kg/h	Depth (mm)	Width (mm)	Pressure (Pa)	Weight (Kg)	Auto-cleaning
<b>Millenium R</b>	A	80	6,4	240	1,9	290	100	12	55	N.A.
<b>Millenium II</b>	A	76	9,1	350	2,8	450	150	12	114	Auto